

# RAPISCAN 622XR hp

## High Performance



*baggage & parcel*

*inspection  
technology*



Tunnel Opening  
29.5 x 21.7 in.

The new **Rapiscan 622XR hp** is a high performance 29.5 x 21.7 in. (750 x 550 mm) tunnel aviation checkpoint screening system with best in class image quality and excellent threat detection capabilities.

SINERGY™, Rapiscan's latest proprietary image enhancement tool, utilizes the new innovative dual-mode X-ray imaging technique (DMxT) to emphasize the detail in specific regions of images by enhancing the visibility of thin metal therefore increasing operator recognition of potential threats in cluttered images

The Rapiscan 622XR hp complies with all European Commission Aviation Security Screening requirements and French Civil Aviation Authority (STAC).

### Detection of Explosives and Narcotics Alert

Target™ and NARCScan™ are designed to assist operators in the detection of a range of explosives and narcotics respectively in real time during the scanning process by marking a potential threat on the X-ray image. Rapiscan detection algorithms are based on regulatory material analysis techniques.

### Government Regulatory Compliance

Rapiscan 622XR hp performance is in full compliance with the mandatory regulations (EC) No. 300/2008, (EU) No. 185/2010 and Commissions Decision C(2010)774 for aviation security in the European Union.

### Ease of use Providing Highest Throughput

With over 14 image processing tools and detection alert algorithms functions, the feature- rich software allows the operator to more easily and accurately search for contraband.

### SINERGY™

Rapiscan's latest proprietary image enhancement tool, utilizes the new innovative Dual-Mode X-ray imaging Technique (DMxT) to emphasize the detail in specific regions of images by enhancing the visibility of thin metal therefore increasing operator recognition of potential threats in cluttered images.

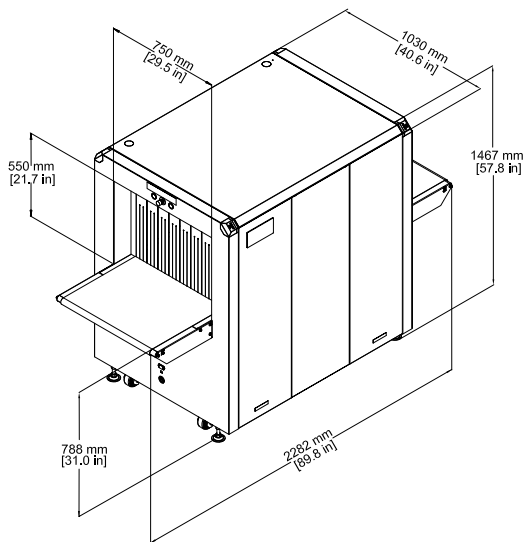
### Standard Features

- Multi Energy Imaging (4 Color)
- View Previous/Next Bag
- Manual Image Archive
- Configurable Image Processing Keys
- Baggage Counter
- Date / Time Display
- Search Indicator
- UPS (Uninterrupted Power Supply)
- Flat Panel Monitor
- Multi Language support

### Standard Image Processing Functions

- Crystal Clear™
- SINERGY™
- Black and White
- Organic / Inorganic Stripping
- Inverse Video
- High Penetration
- Low Penetration
- Pseudo Color
- Variable Edge Enhancement
- Variable Color Stripping
- Variable Gamma
- Variable Density
- Dynamic Continuous Zoom & Panning
- Fixed Zoom (64x)

# RAPISCAN 622XR hp



## Physical Specifications

Dimensions:	Length: 89.8 in. (2,282 mm) Width: 40.6 in. (1,030 mm) Height: 57.8 in. (1,467 mm)
Tunnel Size:	29.5 x 21.7 in (750 x 550 mm)
Conveyor Speed:	0.20 m/sec (39.4 ft./min)
Conveyor Load:	364 lbs (165 Kg) evenly distributed
Conveyor Height:	31.0 in. (788 mm)
Approx Weight:	Net: 1,345 lbs (610 Kg)
System Power:	100/110/120//208/220/230/240 VAC ±10%,

## X-Ray Generator and Image Performance\*

Steel Penetration:	38 mm typical, 36 mm standard
Wire Resolution:	42 AWG typical, 41 AWG standard
Spatial Resolution:	0.8 mm vertical/0.8 mm horizontal
Cooling:	Sealed oil bath with forced air
Anode Voltage:	160KV
Orientation:	Diagonally Upward

## Operating Environment

Storage Temperature:	-4° to 122°F (-20° to 50°C)
Operating Temperature:	32° to 104°F (0° to 40°C)
Relative Humidity:	5 to 95% non-condensing

## Protection Class

System	IP20
Operator Control Panel	IP43 <sup>2</sup>

## Government Regulatory

- Regulation (EC) No. 300/2008 Compliant
- Regulation (EU) No. 185/2010 Compliant
- EU Commissions Decision C(2010)774 Compliant

## Health and Safety

Rapiscan Systems' cabinet X-ray products comply with all applicable U.S. FDA and equivalent international regulatory agency requirements, contained in the cabinet X-ray radiation safety performance standard [21 CFR 1020.40] and the general performance standard [21 CFR Part 1010] as well as IEC standard 61010-2-091.

Rapiscan baggage and parcel inspection systems radiation emission leakages are well below the required regulatory limits with less than 1µSv/hr at 10 cm from all surfaces of cabinet X-ray.

## Software

- OS600
- 64-bit Operating System

## Options and Accessories

- Explosives Detection Alert (Target™)
- Narcotics Detection Alert (NARCScan™)
- Density Threshold Alert (DTA)
- Threat Image Projection (TIP)
- Threat Image Projection Network (TIPNet)
- Remote Image Archive Review (NETView™)
- Multi-System Network Display Station (NDS)
- Automatic Image Archiving
- Enhanced Image Archiving
- Operator Training Program (OTP)
- Manual Scan
- Operator Pedestal
- Foot-mat
- Optical Operator Presence Sensor
- SmartCard Login
- Power Conditioner
- Conveyor Accessories
- Remote Workstation
- Universal Printer Support
- Operator Control Panel
- Bracket Mount Dual Monitor Kit
- Extended Smart UPS

<sup>1</sup>Stated performance as measured by Rapiscan Imaging Validation Test Kit.

<sup>2</sup>With optional replaceable cover.

With continual development of our products Rapiscan Systems reserves the right to amend specifications without notice. Product pictures are for general reference. Please note that due to US laws and regulations, not all Rapiscan products are available for sale in all countries without restriction. Please contact your Rapiscan Systems sales representative for more information.

Part Number | 622XRH140



**Rapiscan**  
systems  
An OSI Systems Company