

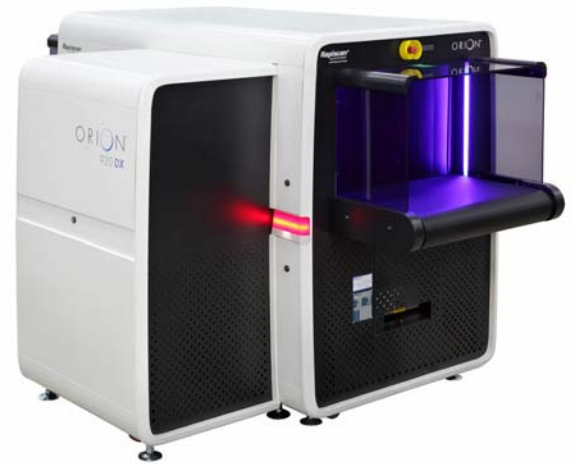
# Rapiscan ORION 920DX

High Performance x-Ray System



*baggage & parcel*

*inspection  
technology*



*The 920DX is a High Performance 640mm by 430mm tunnel dual view checkpoint screening system with best in class image quality and excellent threat detection alert capabilities.*

## SPECTRUM 4-COLOR IMAGING

920CX can present images to the operator in the Classic 4-color and the new proprietary Spectrum 4-color (SP4) option providing superior image, allowing improved security by quick and accurate identification of threats and increase in throughput.

## EXPLOSIVES AND NARCOTICS DETECTION

Target and NARCScan are designed to detect a wide range of explosives and narcotics respectively in real time during the scanning process by marking a potential threat on the X-ray image. Rapiscan® Systems detection algorithms are based on regulatory approved material analysis techniques.

## DUAL MODE AUTO Z<sub>EFF</sub>

This feature aids the operator in quick identification of organic materials, either in Range Mode which highlights areas based on operator selected Z-effective values of 7, 8 or 9, or in Interactive Mode which gives the operator the option to display the Z-effective number of a selected pixel.

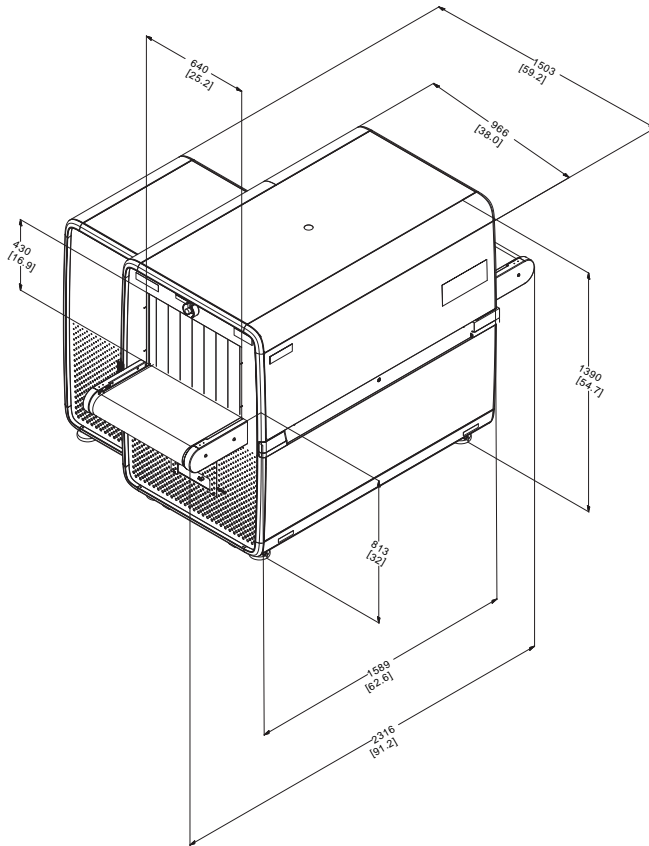
## EUROPEAN AVIATION COMPLIANCE

920CX performance is in full compliance with the mandatory regulations (EC) No. 300/2008, (EC) Implementing Regulation 1998/2015 and update 815/2017, EC Implementing Decision 8005/2015 and update 3030/2017 for aviation security in the European Union.

- Industry Best Resolution
- Explosives and Narcotics Detection
- Low Density Image Enhancement
- Matrixing, Networking and Remote Viewing



# ORION 920DX



## KEY FEATURES AND OPTIONS

- Explosive threats, narcotics & density alerts
- Spectrum 4
- 17 Image processing functions
- SINERGY low density enhancement
- Dual Mode Z-effective
- CrystalClear™
- Automatic, Enhanced Image Archiving
- E.U. Approved Threat Image Projection
- Remote Status Monitoring
- Remote Archive Review
- Multi-System Alarm Resolution Network
- Multiplexing and Matrixing
- Tray Return System Compatible
- 13 Languages
- 64-bit Operating System

## PHYSICAL SPECIFICATIONS<sup>1</sup>

<b>DIMENSIONS</b>	L 2,316 mm (91.2 in) W 1,503 mm (59.2 in) H 1,390 mm (54.7 in)
<b>TUNNEL SIZE</b>	W 640 mm (25.2 in) H 430 mm (16.9 in)
<b>CONVEYOR HEIGHT</b>	813 mm (32 in.)
<b>WEIGHT (NET)</b>	897 Kg (1,978 lbs)
<b>ENVIRONMENT &amp; POWER</b>	
<b>STORAGE TEMP</b>	-20°C to 50°C
<b>OPERATING TEMP</b>	0°C to 40°C
<b>RELATIVE HUMIDITY</b>	5 to 95% non-condensing
<b>SYSTEM POWER</b>	100/110/120/200/208 /220/230/240 VAC ±10%

## PERFORMANCE<sup>2</sup>

<b>CONVEYOR SPEED<sup>1</sup></b>	0.22 m/sec (43.3 ft/min)
<b>CONVEYOR LOAD<sup>1</sup></b>	165 Kg (364 lbs)
<b>STEEL PENETRATION</b>	41 mm typical, 40 mm standard
<b>WIRE RESOLUTION</b>	41 AWG typical, 40 AWG standard
<b>SPATIAL RESOLUTION</b>	0.8 mm vertical 0.8 mm horizontal
<b>X-RAY GENERATOR</b>	
<b>ANODE VOLTAGE:</b>	160kV
<b>ORIENTATION</b>	Vertically Upward and Horizontal

