

TSA BM286

High Sensitivity Waste Monitor



The TSA BM286 is designed to screen items up to and including 55 gallon drums weighing up to 1,000 lbs for radioactive contamination and is ideal for monitoring prior to release from the facility. With an efficient and accurate go/no go analysis and typical scan times of one to three minutes, the BM286 waste monitor allows for cost effective waste management.

Advanced Design Features

The TSA BM286 high sensitivity and uniform measurement is achieved by using large volume plastic scintillator detectors on all six sides of the counting chamber for effective and accurate screening of all sides of the item. The load platform, containing the weight monitoring load cells, is mounted on sliding runners to facilitate easier loading of heavy samples. With lead shielding on all sides, the BM286 provides higher sensitivity and isolates the scanned item from any external radiation influence.

Programmable Detection Parameters

With the ability for an administrator to define screening parameters, customizing the TSA BM286 for specific radioactive isotopes or 'waste streams' is possible. The operator selects the proper waste stream from an annotated list for each item to be scanned, making the BM286 flexible when screening for multiple contaminants.

Easy-to-Operate

Operation is simple using the color touchscreen panel PC. Easy to read graphics provide instant reporting of system status and operating mode. Administrators can generate reports for all activity or only alarmed activity for efficient record keeping on waste disposal.

Flexible Options

With the optional scale the TSA BM286 is able to greater enhance facility operations. The BM286 comes standard with a stainless steel liner that protects the detectors and allows for easy cleaning if contaminated. An optional aluminum liner is available if greater sensitivity is required. With the optional sodium iodide detector, spectral isotopic identification to fit specific detection requirements is possible.

Standard Features

- Screen up to 1,000 lbs
- Large Volume Plastic Detectors
- Stainless Steel Liner
- Lead Shielding on all Sides
- 20 Programmable Waste Streams
- User-Friendly Operator Interface
- Color Touchscreen Panel PC
- Keyboard (US English)
- Heavy Duty Casters

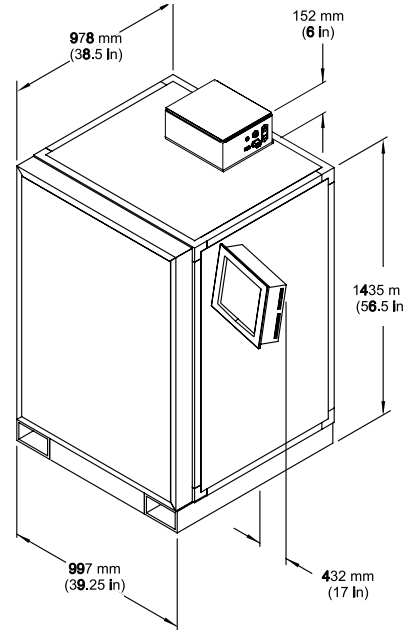
Markets

- Critical Infrastructure
- Hospitals
- Nuclear Facilities
- Defense

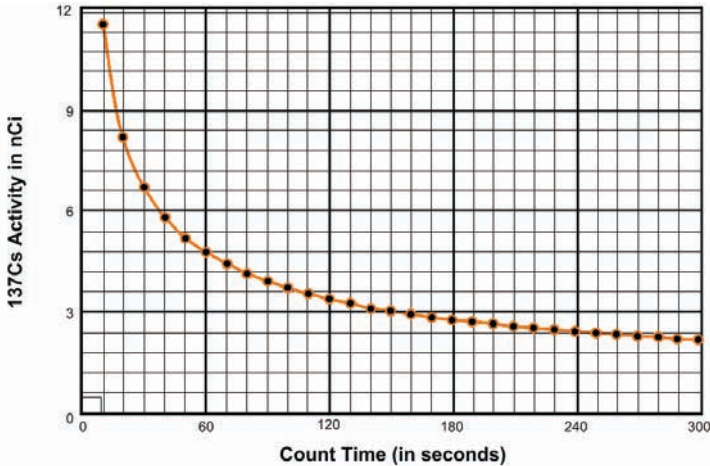
TSA BM286

Specifications

Sensitivity	See the Minimum Detectable Activity Chart below
Detectors	Two 12 h x 24 w x 1.5 d in. (30 x 60 x 3.75 cm), plus four 12 h x 36 w x 1.5 d in. (30 x 91.4 x 3.75 cm) plastic scintillator detectors, provides 2,484 in ³ (41 liters) of detector volume per system. Gamma energy range of 40 keV to 1.6 Me V, can be limited with discriminators. Detectors are fully shielded by a minimum of 1.75 in. (4.4 cm) of lead.
Display	Super VGA color flat panel touchscreen monitor
Power Requirements	115/230 Vac, 47 - 63 Hz, 400 VA
Dimensions	69 h x 44 w x 44 d in. (173 x 110 x 110 cm)
Chamber Dimensions	40 h x 28 w x 28 d in. (100 x 40 x 40 cm)
Volume	14 ft ³ (570 liters)
Weight	12,000 lbs (5,443 kg)
Environmental	32° to 100° F (0° to 38° C)



Minimum Detectable Activity Chart



Confidence of Detection 90% (1.3 sigma)
 False Alarm Rate 1/100 (2.33 sigma)
 25 micro R background Eff. - 9.7%

Options

- Aluminum Liner: provides minimum attenuation
- Sodium Iodide Detector: NaI (Tl) detector and 1,024 channel MCA for spectral isotopic identification
- Slide-out Tray
- Internal Scale
- Printer

